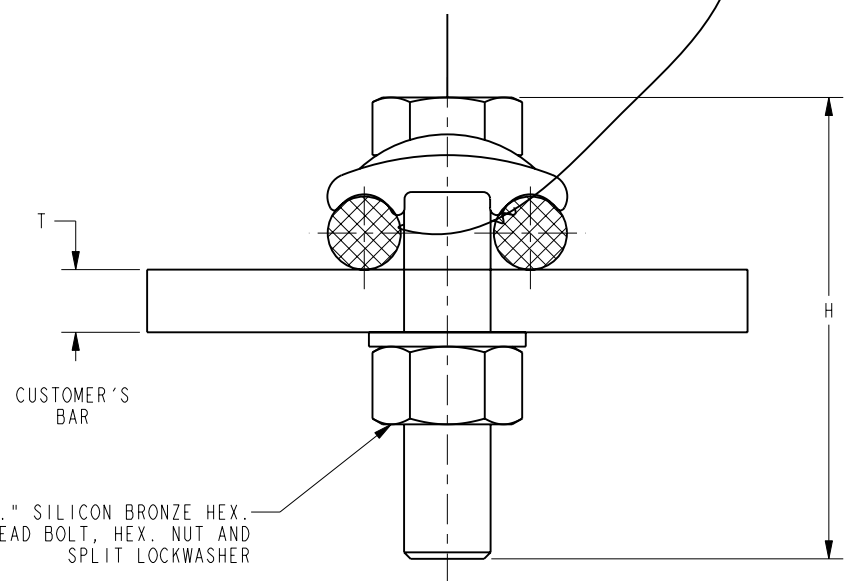
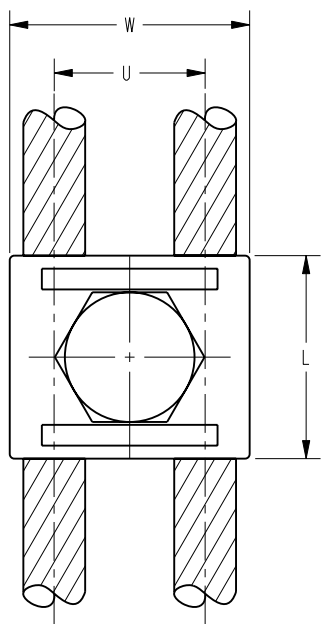
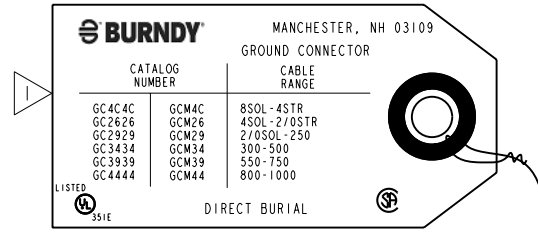


DRAWING NO.
SC091660-01

CATALOG NUMBER	COMMERCIAL COPPER CABLE	METRIC COPPER CABLE	H	J DIA.	L	U	W	T	TORQUE	
									Lb*in	N*m
GCM4C	8SOL (.129) - 4STR (.232)	10mm ² SOL [3.58] - 16mm ² STR [5.13]	1.36 [35]	3/8-16	.88 [22]	.72 [18]	1.04 [26]	1/4" [6]	240	27.0
GCM26	4SOL (.204) - 2/0 STR (.418)	25mm ² STR [6.48] - 70mm ² STR [10.9]	1.74 [44]		1.00 [25]	.92 [23]	1.36 [35]			
GCM29	2/0 SOL (.365) - 250kcmil (.575)	70mm ² STR [10.9] - 120mm ² STR [14.4]	2.07 [53]	1/2-13	1.25 [32]	1.19 [30]	1.90 [48]	480	54.1	
GCM34	300kcmil (.630) - 500kcmil (.814)	150mm ² STR [16.0] - 240mm ² STR [20.3]	2.57 [65]		1.62 [41]	1.43 [36]	2.44 [62]			
GCM39	550kcmil (.855) - 750kcmil (.998)	--	2.62 [67]	5/8-11	2.25 [57]	1.75 [44]	3.19 [82]	600	67.8	
GCM44	800kcmil (1.031) - 1000kcmil (1.152)	--	2.88 [73]	5/8-11	2.50 [64]	1.94 [49]	3.62 [92]	600	67.8	

REV	DATE	DESCRIPTION	ECO	BY	C'H'K.
E	05/04/2012 20:20:00 PM	ADD CSA CERTIFICATION FOR GROUNDING AND BONDING.	27400	BSB	MA



NOTES:

- 1 UL 467 LISTED, FILE NO. E9999. SUITABLE FOR DIRECT BURIAL IN CONCRETE OR GROUND. CERTIFIED GROUNDING & BONDING, CSA 22.2 NO. 65.
- 2 DIMENSIONS IN BRACKETS [] ARE IN MILLIMETERS ROUNDED OFF TO THE NEAREST MILLIMETER, UNLESS OTHERWISE NOTED, AND ARE FOR REFERENCE ONLY.
- 3 MATERIAL: CAST COPPER ALLOY.
- 4 FOR BAR THICKNESSES FROM 1/4" TO 1/2" ADD THE SUFFIX "T4" TO THE CATALOG NUMBER.
FOR BAR THICKNESSES FROM 1/2" TO 1" ADD THE SUFFIX "T8" TO THE CATALOG NUMBER.
- 5 FINISH: FOR TIN PLATED CONNECTORS ADD SUFFIX "TN" TO CATALOG NUMBER (EXAMPLE: GCM34TN, GCM34T4TN, GCM34T8TN)
FOR HEAVY TIN PLATED CONNECTORS ADD SUFFIX "W" TO CATALOG NUMBER (EXAMPLE: GCM34W, GCM34T4W, GCM34T8W).
- 6 CATALOG NUMBERS WITH A "GS" SUFFIX HAVE GALVANIZED HARDWARE.

TO ORDER BURNDY® PRODUCTS CALL UNITED STATES: 1-800-346-4175 (LONDONDERRY, NH) CANADA: 1-800-361-6975 (QUEBEC) 1-800-387-6487 (ALL OTHER PROVINCES) FOR PRODUCT INFO: http://www.burndy.com		GROUND CONNECTOR	
		ITEM NO: --	SCALE: 2:1
CAT. NO: GCM-- (TABLE)		DRAWN BY: H.C 09/16/85	
CHECKER: CAR 09/25/85		DSN APPVL: G.DITROIA 11/11/93	
MFG APPVL: --		GA APPVL: A.LLOYD 12/03/93	
MKT APPVL: K.WOO 12/02/93		PROJECT #: --	
PROJ FAM: --		DRAWING NO	
DOCUMENT TYPE: Sales		SC091660-01	
REL LEVEL: Released		SHEET 1 OF 1	

REV: PE0200