

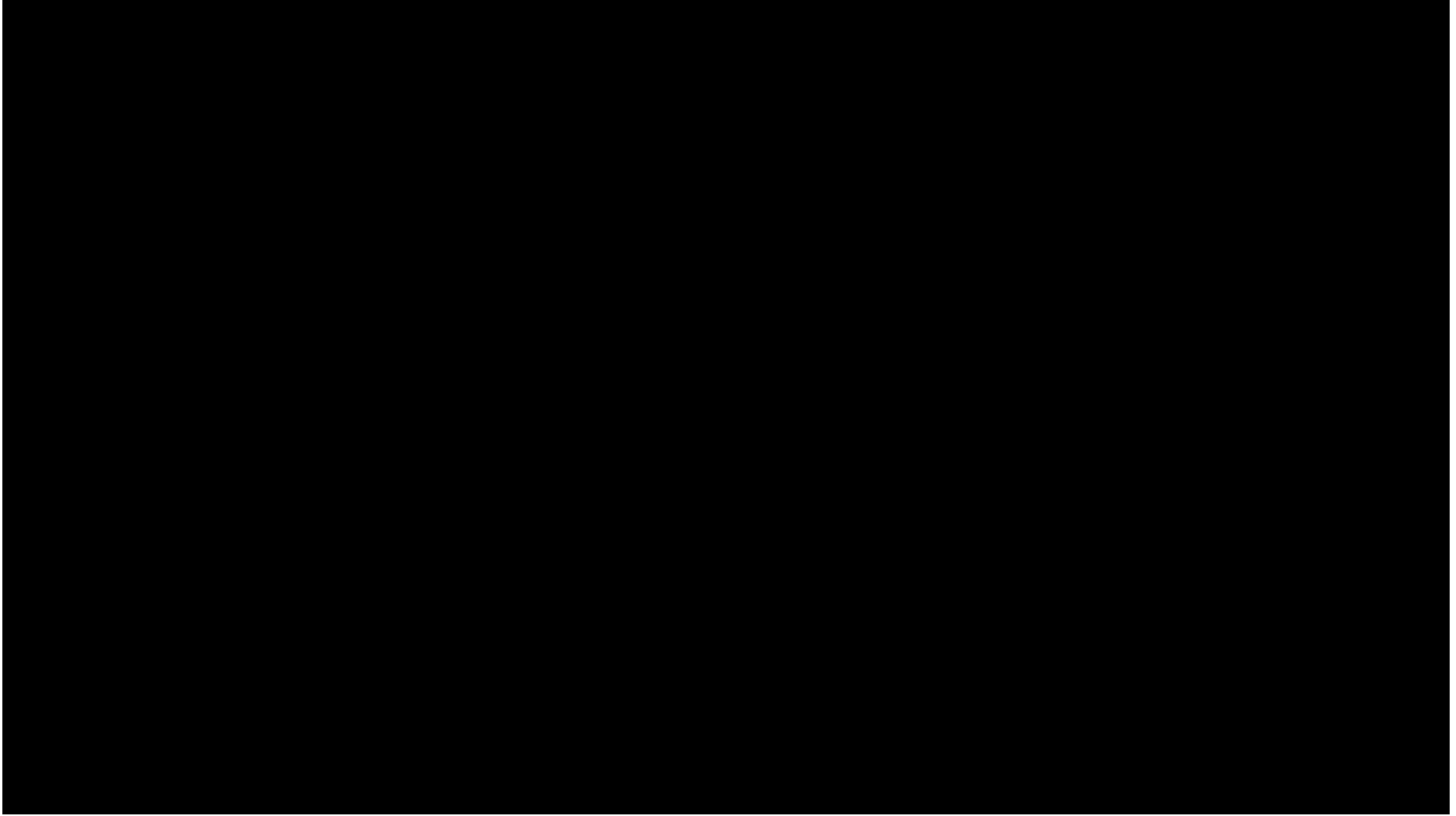


Octubre 2015

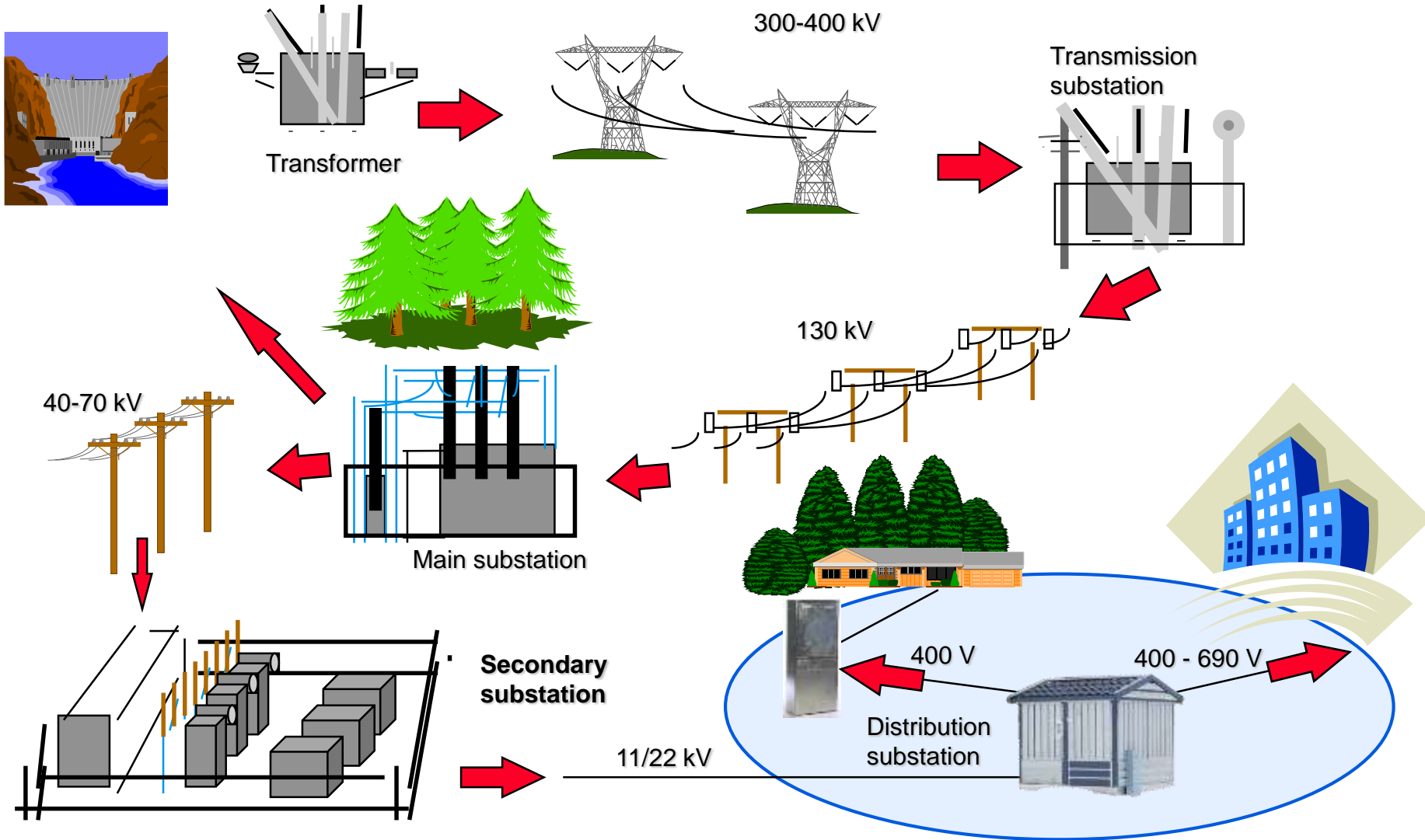
InLine II

Seccionadores verticales

Introduction



Redes de distribución secundaria



Aplicaciones de InLine II

Utility segment

Cable Distribution Cabinets
(CDC)

Compact Secondary Substations
(CSS)

12 kV
24 kV
36 kv

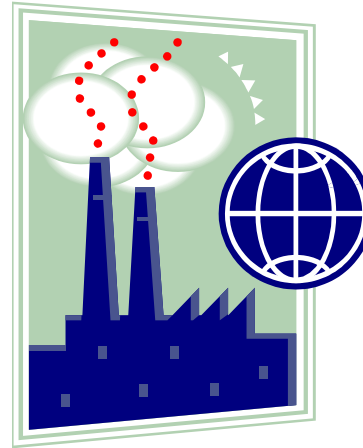
400 V

230 V

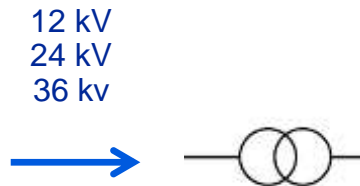
400 V



Aplicaciones de InLine II Industry segment



Distribution
switchboards



400 / 500 / 690 V

InLine II : Now a complete product range



ZLBM 00-100 mm
160 A



ZLBM / ZHBM 00/123-185 mm
160 – 630A



ZLBM 800 / 1250 A
800 / 1250 A



Fuse Rails

ZUBM 00/123
160 - 630A

InLine II : The Fuse Switch Disconnectors



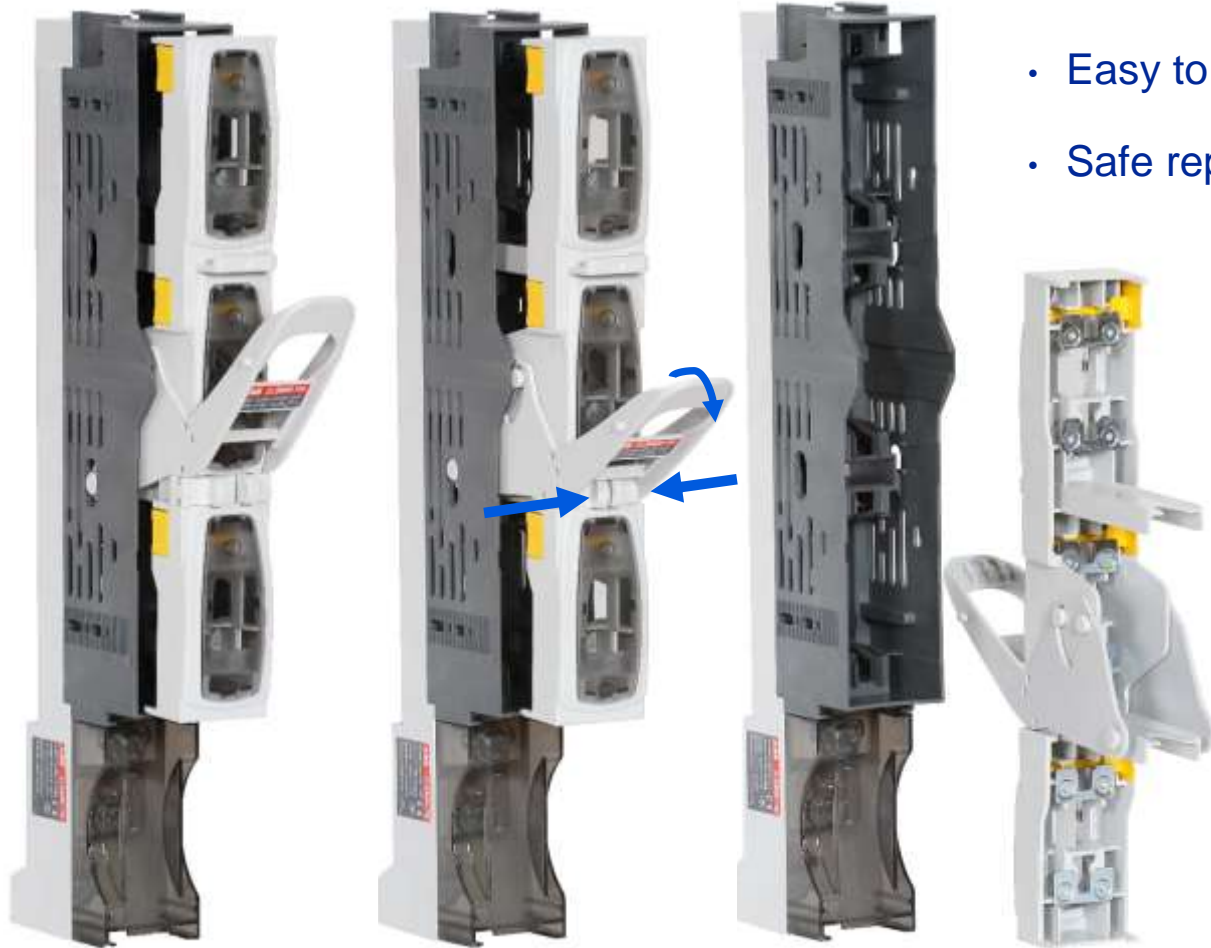
The new ZLBM 00 – 100

- For 100 mm busbar systems
- 3 pole operated
- Parkposition
- Padlock possibility in ON position
- AC 23B breaking capacity at 160 A / 500 V
- 3xM8 terminal bolts as standard
- IP 30 at the front in closed position
- Symmetric body for terminals up or down
- Cable shroud included
- Type tested acc. to EN / IEC 60947-3
- Wide range of accessories

InLine II : The Fuse Switch Disconnectors

The new ZLBM 00 – 100

- Easy to remove the front cover
- Safe replacement of the NH fuse links



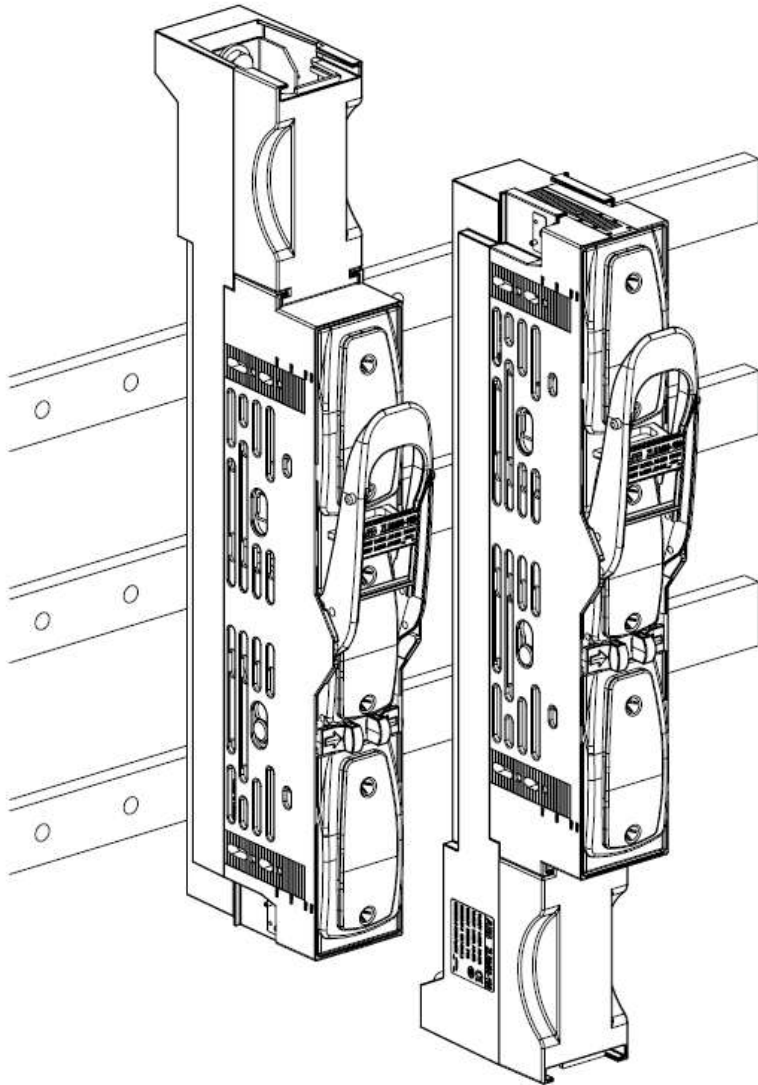
InLine II : The Fuse Switch Disconnectors



The new ZLBM 00 – 100

- Park position
- Padlocked in ON position

InLine II : The Fuse Switch Disconnectors



The new ZLBM 00 – 100

- Symmetric body for terminals up or down
- 3xM8 terminal bolts as standard :
1,5 – 95 mm² Cu or Al
- 3xPrism clamp as accessories
1,5 – 70 mm² Cu or Al

InLine II : The Fuse Switch Disconnectors



Size 00
160 A

Size 1
250 A

Size 2
400 A

Size 3
630 A

- A complete new generation of Fuse Switch Disconnectors.
- For 185 mm busbar systems
- 1 and 3 pole operated
- Type tested acc. to EN / IEC 60947-3

ZLBM - ZHBM 00

160 A

Module Width = 50 mm



1 Pole operation

ZLBM 00 1 Pole

3 Pole operation

ZLBM 00 3 Pole

ZLBM - ZHBM 1 / 2 / 3

250 / 400 / 630 A

Module Width = 100 mm



1 Pole operation

ZLBM 1/2/3 1 Pole

3 Pole operation

ZLBM 1 / 2 / 3 3 Pole

ZLBM - ZHBM Double size 2 and 3

800 / 1250 A

Module Width = 200 mm



1 Pole operation

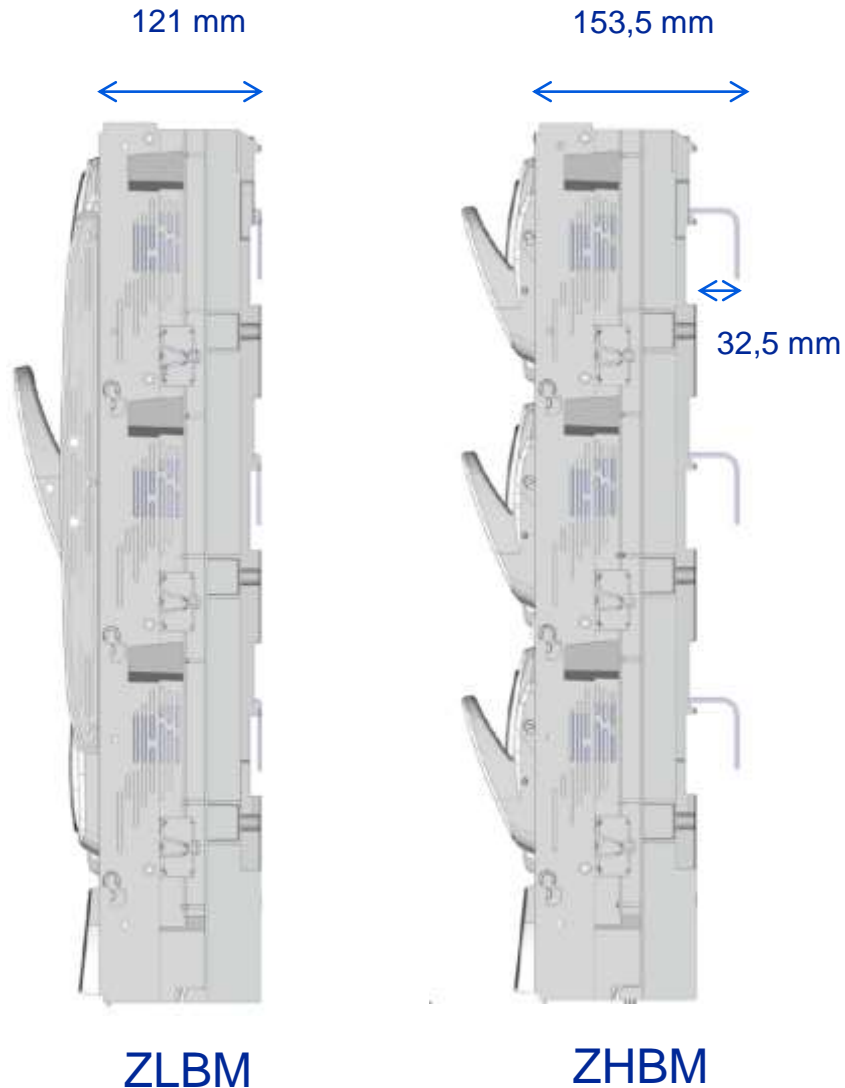
ZLBM 800 / 1250



3 Pole operation

ZLBM 800 / 1250

Two alternative depths ZLBM-ZHBM

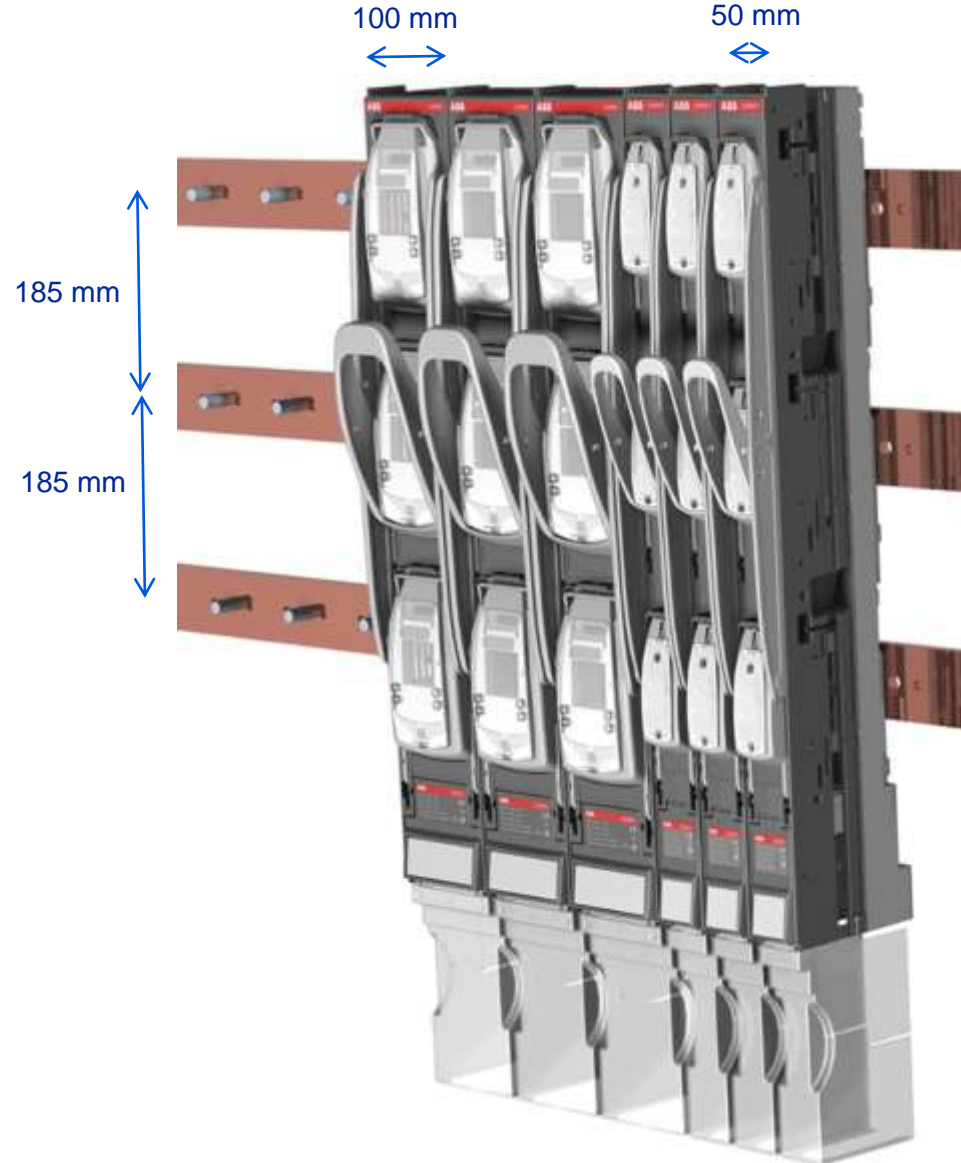


- ZLBM identical to the XLBM
- ZHBM : Smart integration of CT's
- ZHBM : 100 % Compatible body dimensions to the most important competitors
Jean Müller, Pronutec, Efen

Instalación

Installation at 185 mm busbars

- Normally to be bolted at Cu flat busbars
- Ex. Cu 10x60 mm : 1180 A
10x80 mm : 1500 A



Installation at 185 mm busbars

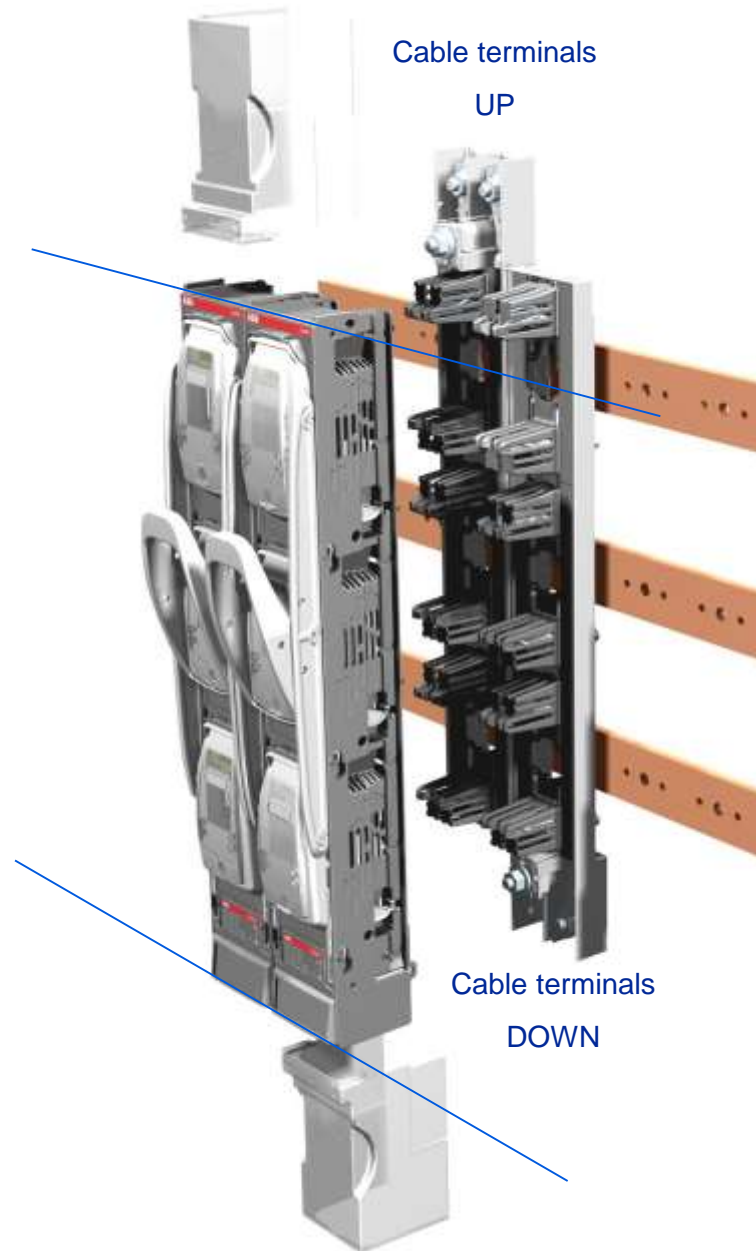
- Normally to be bolted at Cu flat busbars
- Ex. Cu 10x60 mm : 1180 A
10x80 mm : 1500 A



Installation at 185 mm busbars

- Symmetric positioning Up / Down

The Middle section will remain at the same level



Instalación



Operación

Operation

ZLBM / ZHBM 3 pole operation



XLBM 3 –pole



ZLBM 3 - pole

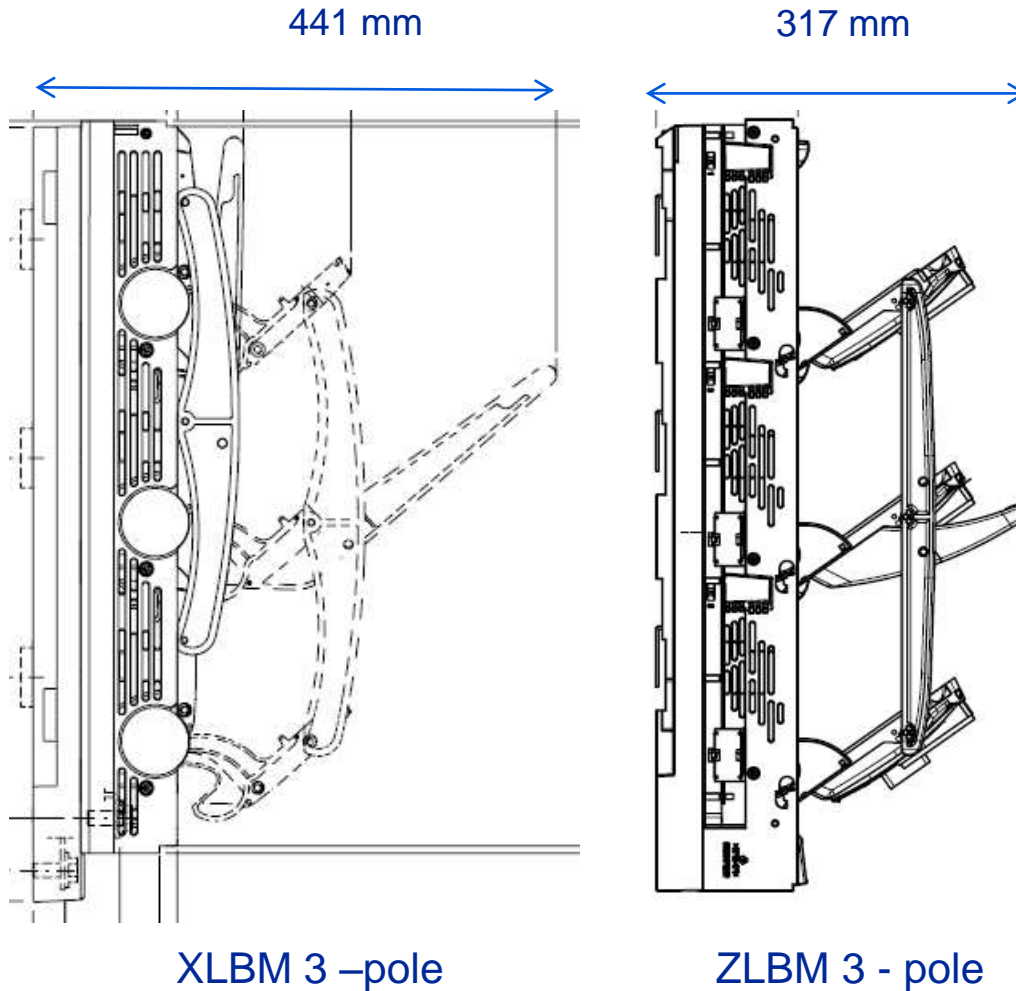
The operating handle of the new ZLBM / ZHBM 3 pole is located close to the center of the front.

Advantages from XLBM :

- No scratches of the fingers to the top of cabinets.

Operation

ZLBM / ZHBM 3 pole operation



- Reduced total depth of the operating handle in open position (compared to the XLBM) :

To make more space at an urgent evacuation from a compact secondary substation.

Operation ZLBM / ZHBM



Closed position / ON



Open position / OFF



Replacement of fuses position

Operation

Replacement of the NH Fuse links



Metal tag-bracket

Robust release button



1 pole

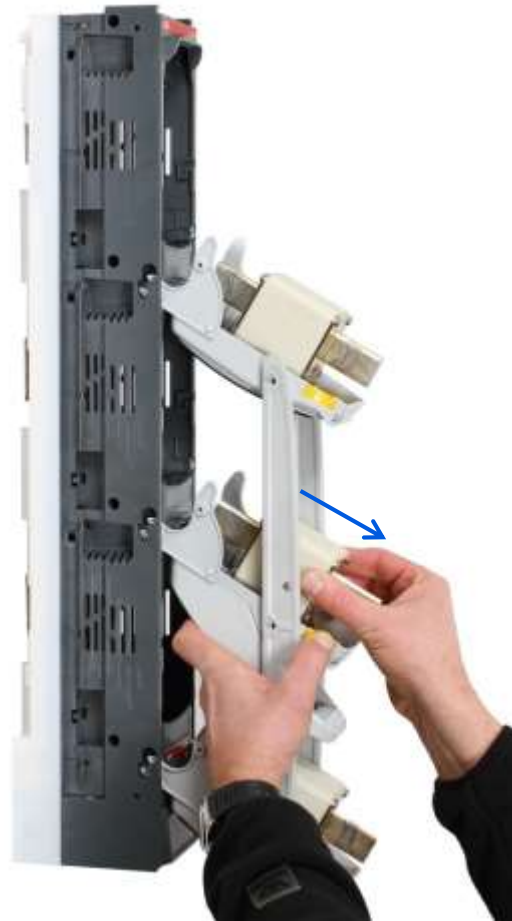
Operation

Replacement of the NH Fuse links

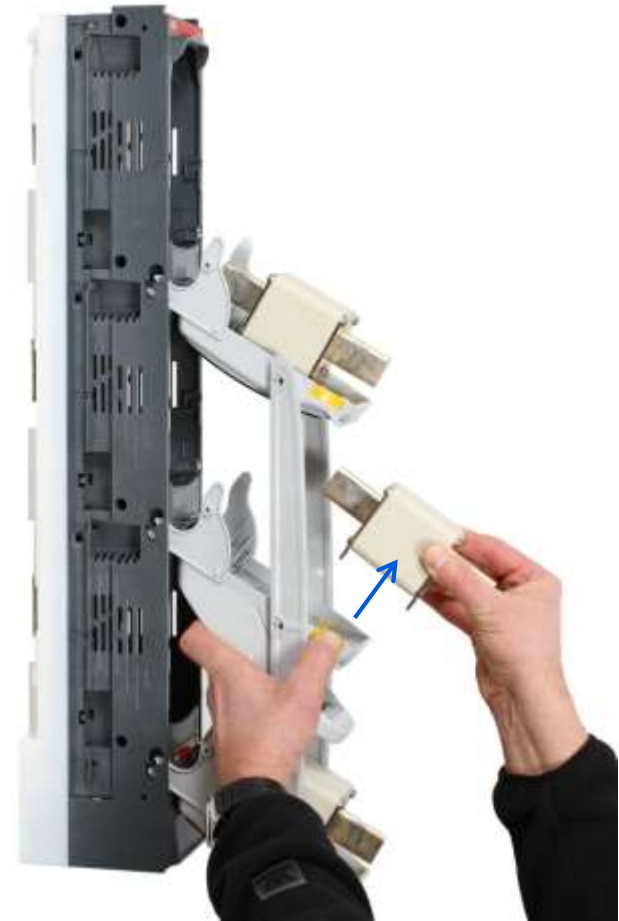


Metal tag-bracket

Robust release button



3 pole



Operation Padlocking

Up to 2 padlocks pr phase



Up to 3 padlocks by using the
Padlock hasp



Up to 2 padlocks in Open position



Operation

Park position - Safety position when the output side is at service



Park position can also
be padlocked



Operation

Voltage measurement



- By sliding the front windows upwards it is access to do voltage measurement at the NH fuse tags



Aplicaciones

Aplicaciones

Compact secondary substation



Applications

Cable distribution cabinets (CDC)



Applications InLine in Switchboards

pro *E* Power



Applications InLine in Switchboards

pro *E* Power

at Light & Building in Frankfurt April 2014



Power and productivity
for a better world™

